

## locks index

Mortise Locks and Latches Introduction	4	
Mortise Locks	6	
Mortise Locks Privacy	7	●
Mortise Latches	8	
Mortise Night Latches	9	
Mortise Deadbolts	10	
Mortise Sliding Door Locks	11	
Mortise Roller/Privacy Locks	12	
Mortise Roller Latches	14	
Concealed Fixed Door Locks	15	●
ES Mortise Locks	16	●
ES Mortise Deadbolt	17	●
ES Mortise Roller Locks	18	●
CFH Mortise Lock	20	●
Glass Door Locks	21	●
Two Point Latches and Bolts	22	○
In Stile Privacy Latch	26	●
Flush Strikes	27	●
Tubular Deadbolts	28	●
Tubular Latches and Privacy Bolts	29	●
Cylinders and Turns	30	

- Additions or changes to existing product ranges
- New product ranges





charni

charni

charni

## Mortise Locks and Latches

This extensive series of locks and latches have been developed to cover many options and combinations of lock and door types, the use of small, medium, large and tall pull handles and lever handles.

### Features of our Locks and Latches

- Designed to marry with our extensive range of pull handles, lever handles, escutcheons and accessory components
- The lock faceplates and cases are made from 316 stainless steel. Internal components are from brass and stainless steel
- All strikes are made from 316 stainless steel
- Strike packers are made from aluminium extrusion and are natural anodized
- All locks are operated by standard profile cylinders and turns, or our chant™ Profile Cylinder Turn Adaptor or Cam Adaptor

### Handing of Locks and Latches (where applicable)

The way we hand our locks, is to marry them with the strikes, A or B. Refer Handing of Strikes diagram with lock details in this section. The locks and latches can be handed on site, however, many of our strikes are handed. Order carefully and/or hang doors as planned.

- "A" strikes and locks, as viewed from the outside:
  - suit locks on the left, doors opening out
  - or locks on the right, doors opening in
- "B" strikes and locks, as viewed from the outside:
  - suit locks on the right, doors opening out
  - or locks on the left, doors opening in

### Lock Functions

**Mortise Locks 1000 – 1004:** Used with lever handles to withdraw the latch. A key can then be used on both sides or alternatively; a key on the outside with a thumb turn on the inside to lock and unlock the bolt.

**Mortise Night Latches 1021 – 1023:** Key entry to withdraw the latch bolt, key or thumb turn to exit. When the door is shut, it is locked. Using the hold back function, the door is free to swing, or can be held shut (but not locked) with a door closer or roller latch. Use pull handles both sides and a thumb turn inside, or pull turn on the inside instead of a pull handle. Dead locking function is included in the lock.

**Mortise Deadbolts 1030 – 1033:** Used where a latching function is not required. Fit the cylinder/thumb turn combination to suit. The door must be pushed shut, then locked with key or thumb turn.

**Mortise Sliding Door Locks 1040 – 1042:** Fit the cylinder/thumb turn combination to suit.

**Mortise Roller Locks 1051 – 1054:** Key on both sides, or key on the outside and thumb turn on the inside to lock and unlock. Door is held shut by the roller latch. The roller pressure adjustment can assist in securing large and heavy doors, and doors subject to wind, yet allow free access through the door while unlocked. These locks also suit swing through doors with a matching double lip strike.

## Matching Locks, Handles and Door Types

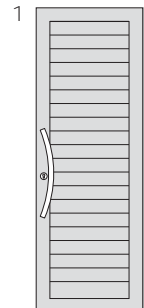
General considerations:

- Co-ordinate the escutcheon style to the handle style
- Choose the lock type for the operating function required
- The backset is the distance from the faceplate or the edge of the door to the cylinder barrel centreline, and/or lever handle spindle.
- Stile: the vertical member of the edge of a door, typically:
  - the aluminum section of an aluminum/glass door
  - the vertical timber member of a timber/glass door
  - the vertical timber member of a timber door with a panel of horizontal or vertical tongue and groove boards. The 'boards' may be genuine, or created by grooves in the surface of a solid door

Examples showing typical combinations of different handle and lock options on doors:

#### 1 Framed Door

Long curved handle to span lock providing knuckle room. Night latch or roller lock with 45 or 60mm backset of lock.



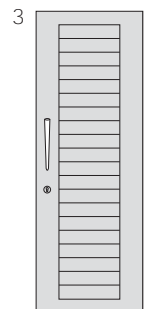
#### 2 Framed Door

Small curved handle above or below lock on narrow stile doors. Mounting pillars of handle in line with the lock cylinder, or handle visually centred on the centreline of cylinder. Lock backset may suit the centreline of the stile.



#### 3 Framed Door

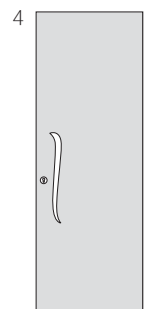
Straight or shaped handle above the lock and in line with the cylinder. More suitable for medium length handles to minimize the vertical spread of the lock and handle. Use 60, 70 and 90mm backset locks.



Examples 1, 2 and 3. If roller locks are used, pull handles are needed on both sides of the door, to pull it open and push it shut. An option is to use a large handle on the outside and a smaller handle on the inside. If a night latch is used, pull handles can be fitted both sides of door, or a pull turn on the inside instead of a pull handle, refer to chant™ Escutcheons. For options in mounting pull handles, refer to chant™ Technical.

#### 4 Solid Core Doors

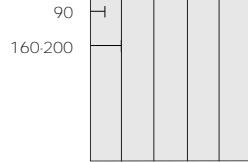
These allow more freedom with lock backset and allow the handle to be positioned adjacent to the lock. Extra-wide and over-height doors expand options to use large handles.



**5 Wood Door with Wide Panels**

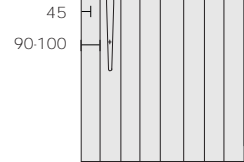
Lever handle positioned approximately centre on this edge panel.

Lever handle on rose with separate escutcheons or lever handle on long back plate.



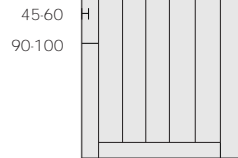
**10 Tongue & Groove Veneer Door**

Lock centered on the first board. Handle centered on the second board.



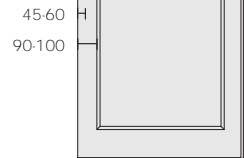
**6 Wood Door with Narrow Panels**

Lever handle positioned approximately in the middle of the stile.



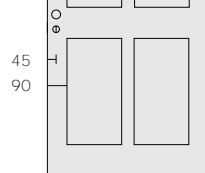
**11 Wood/Glass Panel Door**

The narrow stile is ideal for lever and plate furniture at 45-60mm backset, depending upon stile width.



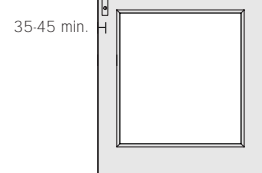
**7 Timber Panel Door Traditional Villa Type**

Door knob on 45mm backset mortise lock, on a deep mid rail.



**12 Aluminium Glass Panel Door**

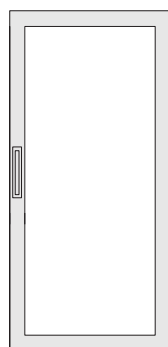
Narrow stile suited to 32mm wide plates with 35 or 45mm backset locks.



**8 Aluminium Framed Sliding Glass Door**

For doors that slide past fixed panels or slide into a cavity or pocket.

- options
- Locking Flush Pulls
- VS Locking Flush Pulls
- VS Euro Locking Flush Pulls

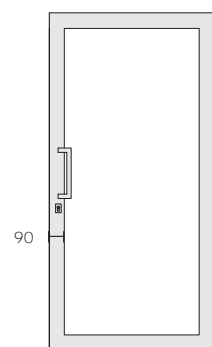


**13 Aluminium Framed Sliding Glass Door**

Mortise sliding door lock and offset pull handle.

Pull handle both sides, or one side with flush pull on the other.

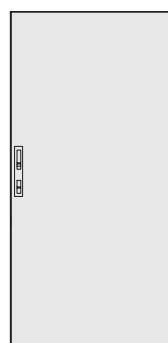
Various locking options are available.



**9 Wood Sliding Door with a Privacy Function**

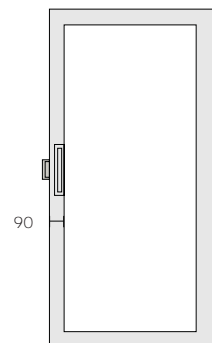
For a door that slides into a cavity or pocket

- options
- Privacy Flush Pulls
- VS Locking Flush Pulls
- 1500 Recessed Pull



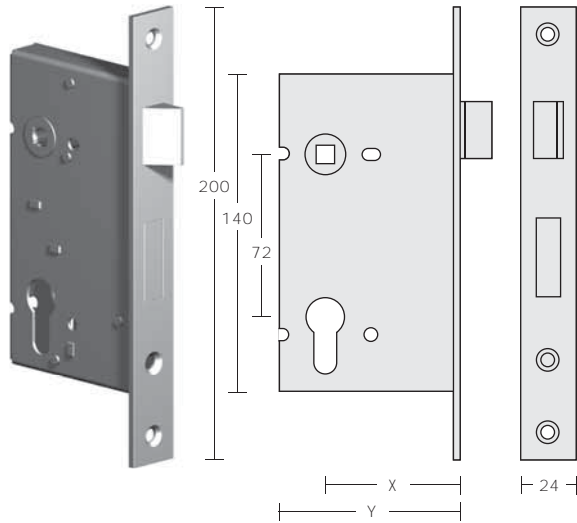
**14 Aluminium or Wood sliding doors that slide into a cavity or pocket**

Use flush pulls or locking flush pulls single or both sides. Use 1500 Group Recessed Pulls for light doors, and 1510 or 1511 for heavy doors to pull the door from the cavity or pocket.



## Mortise Locks

1000, 1000-1, 1001, 1002, 1003, 1004



## Mortise Locks

This series of mortise locks have been designed for standard, narrow stile and rebated doors in a range of backsets. They also feature a 'minimal' lever handle rotation of 40°.

The 72mm spindle to cylinder barrel centreline allows for a practical separation of lever handle rose and turn escutcheon without the appearance of crowding the components. It also allows for the same length back plate to be used throughout a project for entrance doors, narrow stile doors, internal doors and doors with a privacy function. These locks have a single turn, 15mm throw bolt.

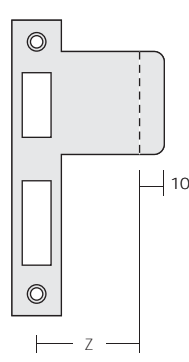
All locks have 8mm spindle hubs and are reversible. When ordered they are handed to suit the handing requested with the strike.

When these locks are to be used with unsprung lever handles, specify 'HD' after the lock code number.

Lock Strikes for Standard Doors  
1005a 1005b



Extended Lock Strike  
1006a/b



### Mortise Lock Dimensions

Model:	Backset: X	Case depth: Y	Horizontal fixing centres: Plate furniture only
1000	35	50	Plate furniture only
1000-1	40	55	Plate furniture only
1001	45	65	38 – 41mm
1002	60	80	38 – 41mm
1003	70	90	38 – 41mm
1004	90	110	38 – 41mm

### Lock Strikes for Standard Doors 1005a/b

These strikes are handed to avoid compromising the design and installation aesthetics of universal, long lip strikes.

- Full length strike box
- Standard strikes measure 20mm from the lock centreline to the bend of the lip

Lock Strike Packer  
1007a/b



Lock Strikes for Rebated Doors  
1008a 1008b



### Extended Lock Strikes 1006a/b

- Extended 50mm from standard. These strikes can be cut back to suit the door frame. Specify the length required from the lock centreline to the edge of the door frame (Z). The bent lip, 10mm wide, is additional to the width specified

### Strike Packer 1007a – 10mm/1007b – 8.5mm

For aluminium door frames

- Aluminium 10mm or 8.5mm thick x 24mm wide
- Natural anodised finish

### Lock Strikes for Rebated Doors 1008a/b

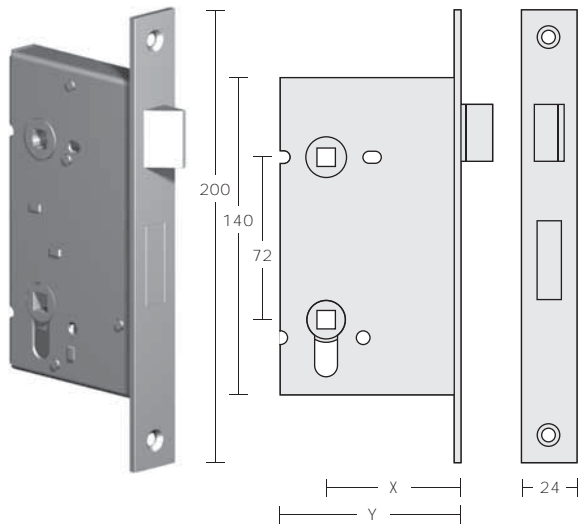
- Lock packer included with these strikes
- Standard strikes measure 20mm from the lock centreline to the bend of the lip

### Extended Lock Strikes for Rebated Doors 1009a/b

- Extended 50mm from standard. These strikes can be cut back to suit the door thickness. Specify the length required from the lock centreline to the edge of the door (Z). The bent lip, 10mm wide, is additional to the width specified. Refer to the drawing of the 1006a/b strike above

Handing of strikes – refer to the following page.

Mortise Privacy Locks  
1001P, 1002P, 1003P



Strikes – refer to Mortise Locks on previous page.

## Mortise Privacy Locks

This series of mortise locks are a privacy version of our standard locks. They also feature a 'minimal' lever handle rotation of 40°. The lock is supplied with an 8mm spindle drive in the privacy hub.

The 72mm spindle to cylinder barrel centreline allows for a practical separation of lever handle rose and turn escutcheon without the appearance of crowding the components. It also allows for the same length back plate to be used throughout a project for entrance doors, narrow stile doors, internal doors and doors with a privacy function. These locks have a single turn, 15mm throw bolt.

All locks have 8mm spindle hubs and are reversible. When ordered they are handed to suit the handing requested with the strike.

When these locks are to be used with unsprung lever handles, specify 'HD' after the lock code number.

### Mortise Privacy Lock Dimensions

Model:	Backset: X	Case depth: Y	Horizontal fixing centres:
1001P	45	65	38 – 41mm
1002P	60	80	38 – 41mm
1003P	70	90	38 – 41mm

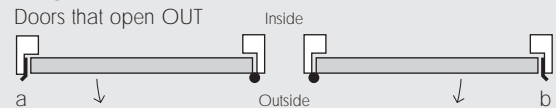
### Finishes available for Locks, Latches and Strikes

Stainless Steel Brushed	SSB
Stainless Steel Polished	SSP
Stainless Steel Satin	SSS
(Bead blasted surface similar to Satin Nickel)	
Copper Plate	COP
Bronze Plate	BP
(This is a brass/bronze plated finish on stainless steel as an approximate match for Weathered Brass and Bronze "Living" Finishes.	

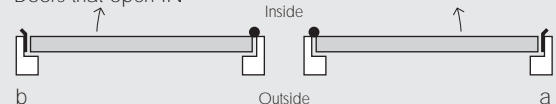
## Handing of Strikes

### Single Doors

Doors that open OUT

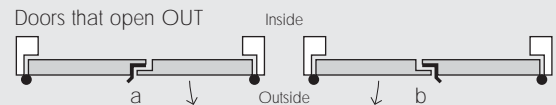


Doors that open IN

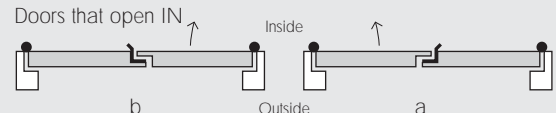


### Double Doors

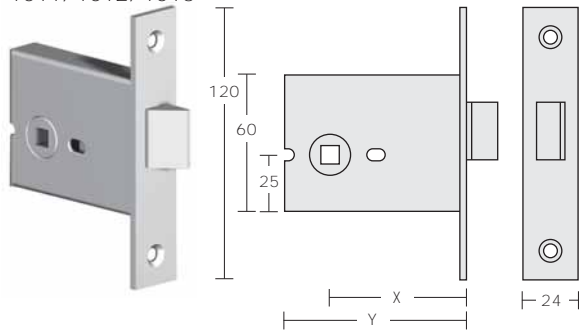
Doors that open OUT



Doors that open IN



Mortise Latch  
1011/1012/1013



## Mortise Latches

### Mortise Latch Dimensions

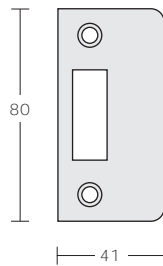
Model:	Backset:	Case depth:	Horizontal fixing centres:
	X	Y	
1011	45	65	38 - 41mm
1012	60	80	38 - 41mm
1013	70	90	38 - 41mm

The latches have 8mm spindle hubs, are reversible, and can be handed on site. **When these latches are to be used with unsprung lever handles, specify "HD" after the latch code number.**

Latch Strike for Standard Doors (universal) 1015



D-Strike for Standard Doors (universal) 1015a



### Latch Strike for Standard Doors 1015

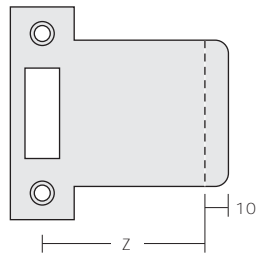
- Standard strikes measure 20mm from the lock centreline to the bend of the lip and are of a universal design

### D-Strike for Standard Doors 1015a

### Extended Latch Strike 1016

- Extended 50mm from standard. These strikes can be cut back to suit the door frame. Specify the length required from the lock centreline to the edge of the door frame (Z). The bent lip, 10mm wide, is additional to the width specified

Extended Latch Strike 1016



### Strike Packer 1017a – 10mm/1017b – 8.5mm

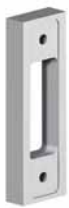
For aluminium door frames

- Aluminium 10mm or 8.5mm thick x 24mm wide
- Natural anodised finish

### Latch Strike for Rebated Doors 1018

- Universal design
- Lock packer included with these strikes
- Standard strikes measure 20mm from the lock centreline to the bend of the lip

Strike Packer 1017a/b



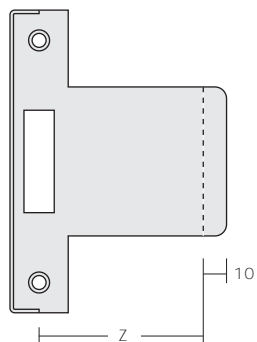
Latch Strike for Rebated Doors 1018



### Extended Latch Strike for Rebated Doors 1019

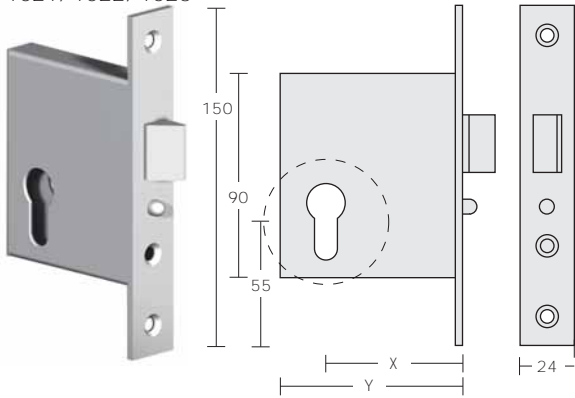
- Extended 50mm from standard. These strikes can be cut back to suit the door thickness. Specify the length required from the lock centreline to the edge of the door (Z). The bent lip, 10mm wide, is additional to the width specified

Extended Latch Strike for Rebated Doors 1019





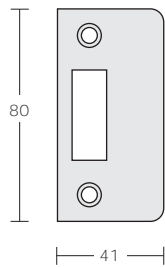
Mortise Night Latch  
1021/1022/1023



Latch Strike for  
Standard Doors  
(universal) 1015



D-Strike for  
Standard Doors  
(universal) 1015a



Mortise Night Latch works with Latch Strike 1015 (standard doors) and Strike Packer 1017a/b above

Night Latch Strikes for Rebated Doors  
1028a 1028b



### Finishes available for Locks, Latches and Strikes

Stainless Steel Brushed	SSB
Stainless Steel Polished	SSP
Stainless Steel Satin	SSS
(Bead blasted surface similar to Satin Nickel)	
Copper Plate	COP
Bronze Plate	BP
(This is a brass/bronze plated finish on stainless steel as an approximate match for Weathered Brass and Bronze "Living" Finishes.)	

## Mortise Night Latches

Night Latches have both deadlock and hold-back functions.

Mortise Night Latch Dimensions:

Model:	Backset:	Case depth:
	X	Y
1021	45	65
1022	60	80
1023	70	90

Latch Strike for Standard Doors Use Strike 1015 above

### Extended Latch Strikes

Use Extended Latch Strike 1016a/b above

Strike Packer Use Strike Packer 1017a/b above

### Night Latch Strikes for Rebated Doors 1028a/b

- Standard strikes measure 20mm from the lock centreline to the bend of the lip. Lock packer included

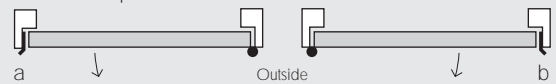
### Extended Latch Strikes for Rebated Doors 1029a/b

- Extended 50mm from standard. These strikes can be cut back to suit the door thickness. Specify the length required from the lock centreline to the edge of the door. The bent lip, 10mm wide, is additional to the width specified

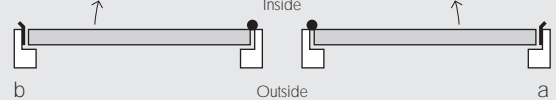
## Handing of Strikes

### Single Doors

Doors that open OUT

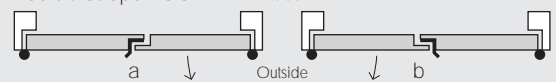


Doors that open IN

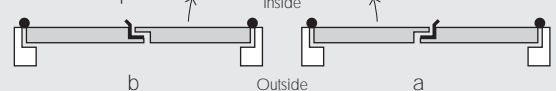


### Double Doors

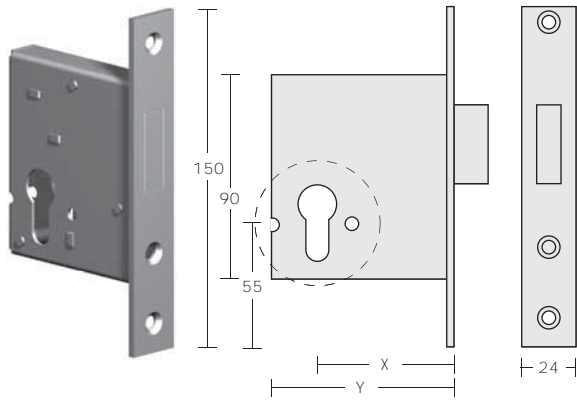
Doors that open OUT



Doors that open IN



Mortise Deadbolt  
1030, 1031, 1032, 1033



## Mortise Deadbolts

Mortise Deadbolt Dimensions

Model:	Backset:	Case depth:
	X	Y
1030	35	50
1031	45	65
1032	60	80
1033	70	90

Deadbolt Strike for Standard Doors 1035

Strike Packer 1037a – 10mm/1037b – 8.5mm

For aluminium door frames (not shown)

- Aluminium 10mm or 8.5mm thick x 24mm wide
- Natural anodised finish

Deadbolt Strike for Rebated Doors 1038a/1038b

- Lock packer included with these strikes

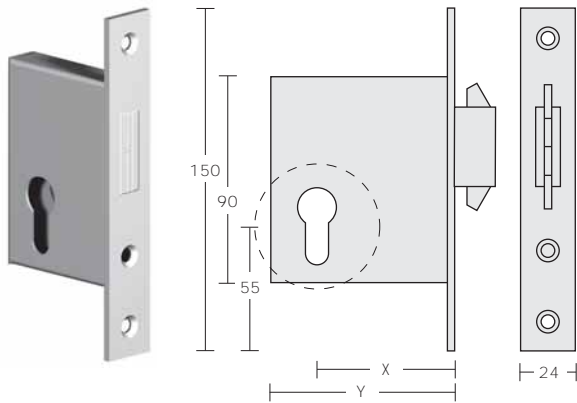
Standard Strike  
1035



Deadlock Strikes for Rebated Doors  
1038a 1038b



Mortise Sliding Door Lock  
1040, 1041, 1042



## Mortise Sliding Door Locks

Mortise Sliding Door Lock Dimensions

Model:	Backset: X	Case depth: Y
1040	35	50
1041	45	65
1042	60	80

Sliding Door Lock Strike 1045

## Mortise Sliding Door Locks with Turn Hubs

Typically used with Chant Turn Escutcheons where a turn function is required on the inside only, and in conjunction with offset or straight pull handles.

Mortise Sliding Door Lock with Turn Hub Dimensions

Model:	Backset: X	Case depth: Y
1040T	35	50
1041T	45	65
1042T	60	80

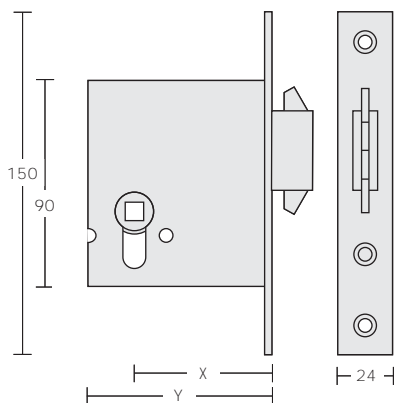
Sliding Door Strike  
1045



Adjustable  
Strike 1899



Mortise Sliding Door Lock with Turn Hub  
1040T, 1041T, 1042T



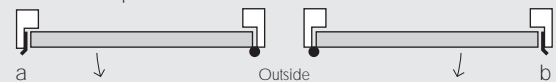
### Finishes available for Locks, Latches and Strikes

Stainless Steel Brushed	SSB
Stainless Steel Polished	SSP
Stainless Steel Satin	SSS
(Bead blasted surface similar to Satin Nickel)	
Copper Plate	COP
Bronze Plate	BP
(This is a brass/bronze plated finish on stainless steel as an approximate match for Weathered Brass and Bronze "Living" Finishes.	

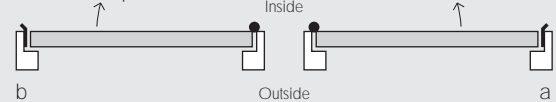
## Handing of Strikes

### Single Doors

Doors that open OUT

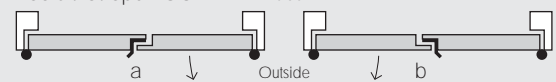


Doors that open IN

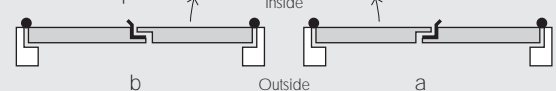


### Double Doors

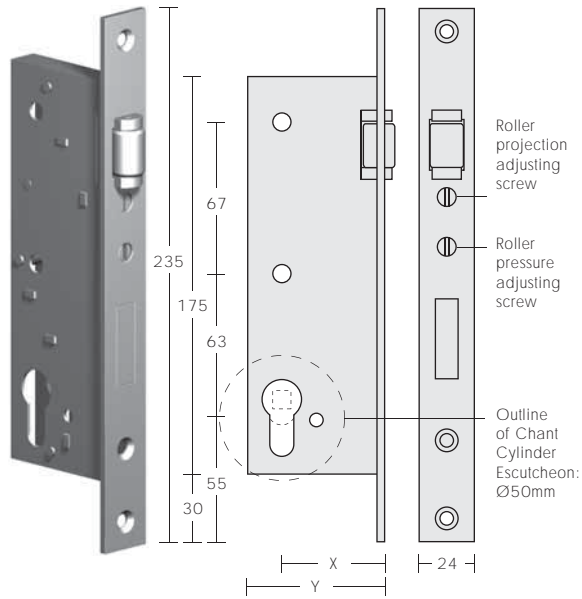
Doors that open OUT



Doors that open IN



Mortise Roller Lock  
1051/1052/1053/1054



The two holes in the lock case allow for a pull handle mounting bolt to pass through the case to minimise the vertical separation of the handle and the cylinder escutcheon.

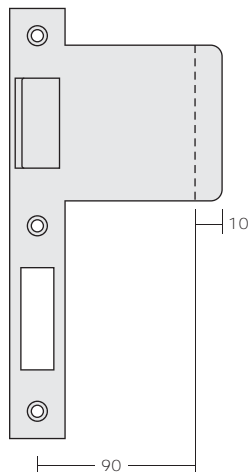
Roller Lock Strikes for Standard Doors  
1055a



1055b



1056a/b



Strike Packer  
1057a/b



## Mortise Roller/Privacy Locks

The Mortise Roller Locks and matching Strike Plates have been designed for standard, narrow-stile, rebated and swing-through doors.

Four backsets are available for matching locks to different types of doors and handle configurations.

The range of backset locks are particularly suitable for use with chant™ curved pull handles where the lock can be placed within the arc of the handle or adjacent to a straight handle. They also facilitate the vertical alignment of the cylinder barrel and pull handle when required, allowing the cylinder to be placed in the middle of the door stile.

The locks feature adjustment from the faceplate for roller projection and pressure. The roller pressure adjustment can assist in securing large and heavy doors, and doors subject to wind, yet allow free access through the door while unlocked. A cautionary note is that increased roller pressure does make it harder to open and close the door. The pressure adjustment also allows for very light settings when appropriate.

### Mortise Roller Lock Dimensions

Model:	Backset:	Case depth:
	X	Y
1051	45	60
1052	60	75
1053	70	85
1054	90	105

### Privacy Locks

These have an 8mm square hub fitted in place of a profile cylinder.

### Mortise Roller Privacy Lock Dimensions

Model:	Backset:	Case depth:
	X	Y
1051P	45	60
1052P	60	75
1053P	70	85
1054P	90	105

### Roller Lock Strikes for Standard Doors 1055a/b

- Ramp for roller to roll up when door closing
- Downward ramp for the roller to extend into, securing the door against its backstop
- Integral strike box behind the roller ramp
- Separate strike box for lock bolt
- Standard strikes measure 20mm from the lock centreline to the bend of the lip

### Extended Roller Lock Strikes 1056a/b

- Extended 50mm from standard. These strikes can be cut back to suit the door frame. Specify the length required from the lock centreline to the edge of the door frame. The bent lip, 10mm wide, is additional to the width specified

### Strike Packer 1057a – 10mm/1057b – 8.5mm

For aluminium door frames

- Aluminium 10mm or 8.5mm thick x 24mm wide
- Natural anodised finish

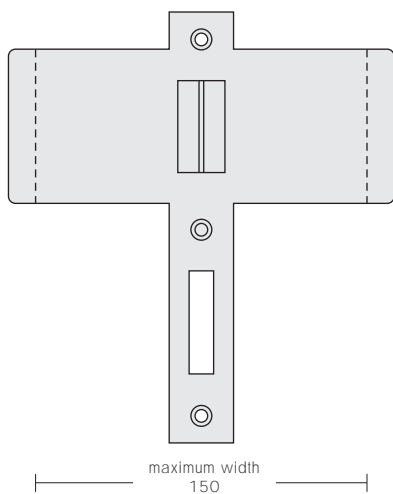
Roller Lock Strikes for Rebated Doors  
1058a



1058b



Roller Lock Strikes for Swing-through Doors  
1060 (double-lip style)



### Roller Lock Strikes for Rebated Doors 1058a/b

- Ramp for the roller to roll up when the door is closing
- Downward ramp for the roller to extend into, securing the door against its backstop
- Integral strike box behind the roller ramp
- Separate strike box for lock bolt
- Lock packer included with these strikes
- Standard strikes measure 20mm from the lock centreline to the bend of the lip

### Extended Roller Lock Strikes for Rebated Doors 1059a/b

- Extended 50mm from standard. These strikes can be cut back to suit the door thickness. Specify the length required from the lock centreline to the edge of the door. The bent lip, 10mm wide, is additional to the width specified

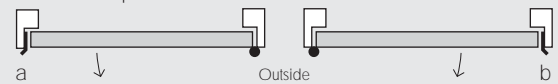
### Roller Lock Strike for Swing-through Doors 1060 (double lip style)

- Ramps for the roller to roll up when the door is closing
- V-recess in the centre to locate the door
- Separate strike box for lock bolt
- Specify jamb width required when ordering, ie. 1060 – 120mm
- 10mm wide lips are additional to the jamb width unless otherwise stated

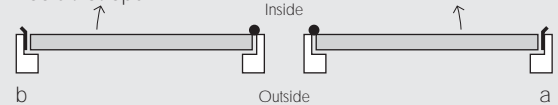
## Handing of Strikes

### Single Doors

Doors that open OUT

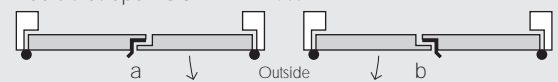


Doors that open IN

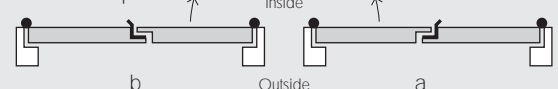


### Double Doors

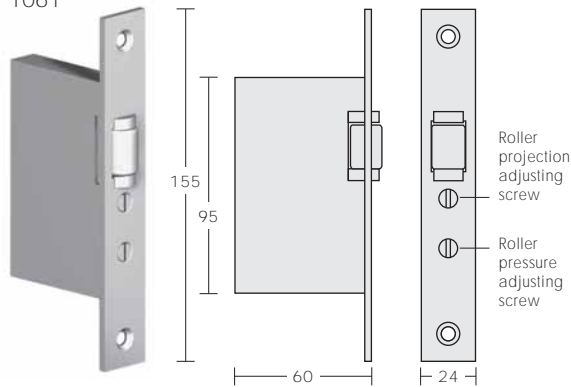
Doors that open OUT



Doors that open IN



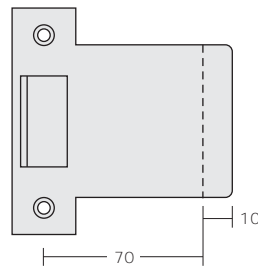
Mortise Roller Latch  
1061



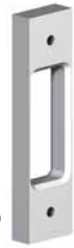
Roller Latch Strike  
for Standard Doors  
1065



Extended Roller  
Latch Strike  
1066



Roller Strike  
Packer  
1067a/b



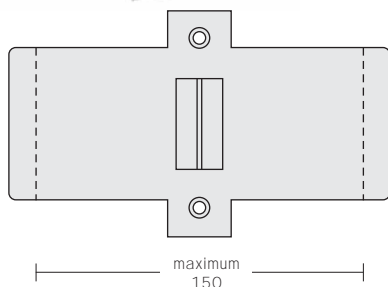
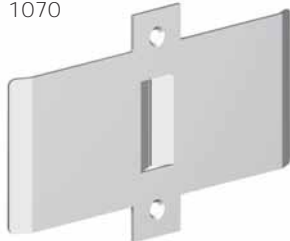
Roller Latch Strike  
for Rebated Doors  
1068a



1068b



Roller Latch Strike for Swing-through Doors  
1070



## Mortise Roller Latches

### Mortise Roller Latch 1061

The Mortise Roller Latch is designed for standard, narrow stile, rebated and swing-through doors. It can be installed on the stile or on the head of the door. This Roller Latch is particularly suitable for swing-through doors to locate the door in the closed position, to receive an electric locking bolt.

### Roller Latch Strike for Standard Doors 1065

- Universal
- Ramp for the roller to roll up when the door is closing
- Downward ramp for the roller to extend into, securing the door against its backstop
- Integral strike box behind the roller ramp
- Standard strike measures 20mm from the lock centreline to the bend of the lip

### Extended Roller Latch Strike 1066

- Extended 50mm from standard. These strikes can be cut back to suit the door frame. Specify the length required from the lock centreline to the edge of the door frame. The bent lip, 10mm wide, is additional to the width specified

### Roller Strike Packer

#### 1067a – 10mm/1067b – 8.5mm

For aluminium door frames

- Aluminium 10mm or 8.5mm thick x 24mm wide
- Natural anodised finish

### Roller Latch Strike for Rebated Doors 1068a/b

- Ramp for roller to roll up when the door is closing
- Downward ramp for the roller to extend into, securing the door against its backstop
- Integral strike box behind the roller ramp
- Standard strikes measure 20mm from the lock centreline to the bend of the lip.

### Extended Roller Latch Strikes for Rebated Doors 1069a/b

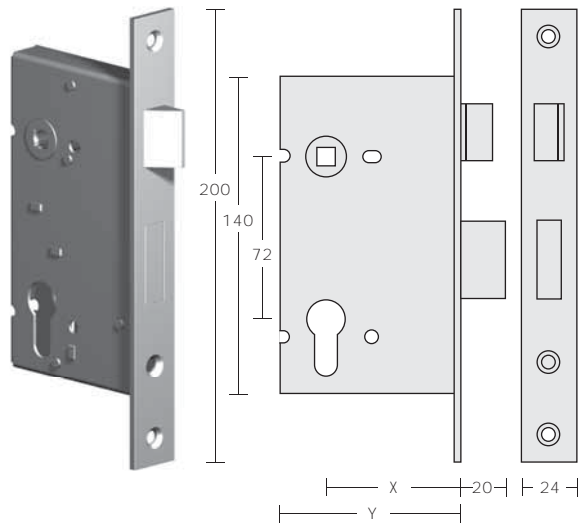
- Extended 50mm from standard. These strikes can be cut back to suit the door thickness. Specify the length required from the lock centreline to the edge of the door. The bent lip, 10mm wide, is additional to the width specified.

### Roller Latch Strike for Swing-through Doors (double lip style) 1070

- Ramp for roller to roll up when the door is closing
- V-recess in the centre to locate the door
- Specify jamb width required when ordering, ie. 1070 – 120mm
- 10mm wide lips are additional to the jamb width, unless otherwise specified



ES Mortise Locks  
1101, 1102, 1103, 1104



## ES Mortise Locks (Extra Security)

This series of mortise locks have been designed with additional security features:

- Single turn, 20mm Throw Bolt
- Hardened antisaw roller inserted in the bolt
- Heavy duty sub strike fitted below the standard strike (Extra Security), which is fastened with two 10g x 75mm screws.

They suit standard, narrow stile and rebated doors in a range of backsets and feature a 'minimal' lever handle rotation of 40°.

The 72mm spindle to cylinder barrel centreline allows for a practical separation of lever handle rose and turn escutcheon without the appearance of crowding the components. It also allows for the same length back plate to be used throughout a project for entrance doors, narrow stile doors, internal doors and doors with a privacy function.

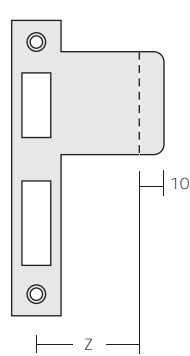
All locks have 8mm spindle hubs and are reversible.

When ordered they are handed to suit the handing requested with the strike.

ES Lock Strike for Standard Doors  
1105a 1105b



Extended Lock Strike  
1106a/b



### Mortise Lock Dimensions

Model:	Backset: X	Case depth: Y	Horizontal fixing centres:
1101	45	65	38 – 41mm
1102	60	80	38 – 41mm
1103	70	90	38 – 41mm
1104	90	110	38 – 41mm

### ES Lock Strikes for Standard Doors 1105a/b

These strikes are handed to avoid compromising the design and installation aesthetics of universal, long lip strikes.

- One piece strike box
- Standard strikes measure 20mm from the lock centreline to the bend of the lip

ES Lock Strikes for Rebated Doors  
1108a



1108b



### ES Extended Lock Strikes 1106a/b

- Extended 50mm from standard. These strikes can be cut back to suit the door frame. Specify the length required from the lock centreline to the edge of the door frame (Z). The bent lip, 10mm wide, is additional to the width specified

### ES Lock Strikes for Rebated Doors 1108a/b

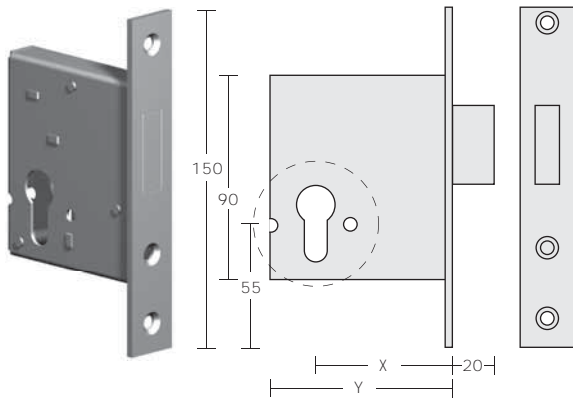
- Lock packer included with these strikes
- Standard strikes measure 20mm from the lock centreline to the bend of the lip

### ES Extended Lock Strikes for Rebated Doors 1109a/b

- Extended 50mm from standard. These strikes can be cut back to suit the door thickness. Specify the length required from the lock centreline to the edge of the door (Z). The bent lip, 10mm wide, is additional to the width specified. Refer to the drawing of the 1106a/b strike above



ES Mortise Deadbolts  
1111, 1112, 1113



## ES Mortise Deadbolts (Extra Security)

This series of Mortise Deadbolts Locks have been designed with additional security features;

- Single turn, 20mm Throw Bolt
- Hardened antisaw rollar inserted in the bolt
- Heavy duty sub strike fitted below the standard strike (Extra Security), which is fastened with two 10g x 75mm screws.

### Mortise Deadbolt Dimensions

Model:	Backset: X	Case depth: Y
1111	45	65
1112	60	80
1113	70	90

ES Deadbolt Strike  
1115



### ES Deadbolt Strike for Standard Doors 1115

### Deadbolt Strike for Rebated Doors 1116a/1116b

Lock packer included with these strikes

ES Deadlock Strikes for Rebated Doors  
1116a 1116b



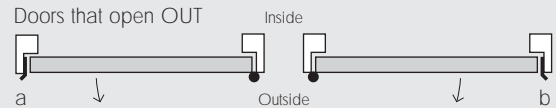
### Finishes available for Locks, Latches and Strikes

Stainless Steel Brushed	SSB
Stainless Steel Polished	SSP
Stainless Steel Satin	SSS
(Bead blasted surface similar to Satin Nickel)	
Copper Plate	COP
Bronze Plate	BP
(This is a brass/bronze plated finish on stainless steel as an approximate match for Weathered Brass and Bronze "Living" Finishes.)	

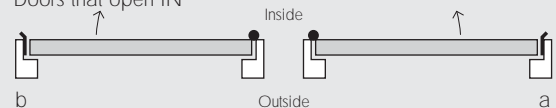
## Handing of Strikes

### Single Doors

Doors that open OUT

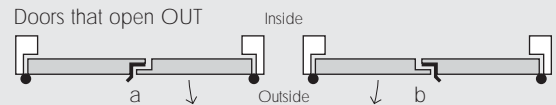


Doors that open IN

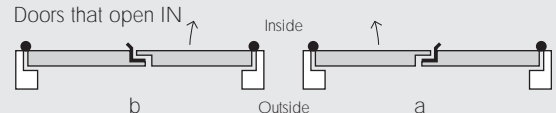


### Double Doors

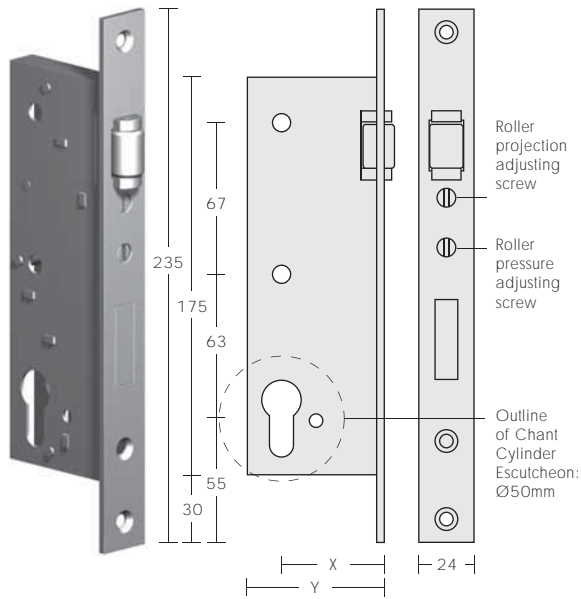
Doors that open OUT



Doors that open IN



ES Mortise Roller Lock  
1121, 1122, 1123, 1124

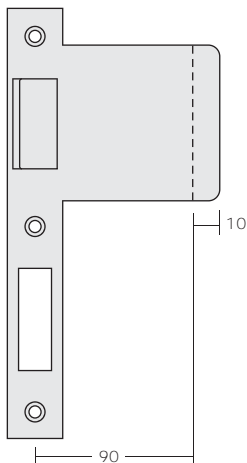


The two holes in the lock case allow for a pull handle mounting bolt to pass through the case to minimise the vertical separation of the handle and the cylinder escutcheon.

ES Roller Lock Strikes for Standard Doors  
1125a 1125b



ES Extended Roller Lock Strike 1126a/b



## ES Mortise Roller Locks (Extra Security)

This series of mortise roller locks have been designed with additional security features:

- Single turn, 20mm Throw Bolt
- Hardened antisaw roller inserted in the bolt
- Heavy duty sub strike fitted below the standard strike (Extra Security), which is fastened with two 10g x 75mm screws.

The Mortise Roller Locks and matching Strike Plates have been designed for standard, narrow-stile, rebated and swing-through doors.

Four backsets are available for matching locks to different types of doors and handle configurations.

The range of backset locks are particularly suitable for use with chant™ curved pull handles where the lock can be placed within the arc of the handle or adjacent to a straight handle. They also facilitate the vertical alignment of the cylinder barrel and pull handle when required, allowing the cylinder to be placed in the middle of the door stile.

The locks feature adjustment from the faceplate for roller projection and pressure. The roller pressure adjustment can assist in securing large and heavy doors, and doors subject to wind, yet allow free access through the door while unlocked. A cautionary note is that increased roller pressure does make it harder to open and close the door. The pressure adjustment also allows for very light settings when appropriate.

### Mortise Roller Lock Dimensions

Model:	Backset:	Case depth:
	X	Y
1121	45	60
1122	60	75
1123	70	85
1124	90	105

### ES Roller Lock Strikes for Standard Doors 1125a/b

- Ramp for the roller to roll up when the door is closing
- Downward ramp for the roller to extend into, securing the door against its backstop
- Integral strike box behind the roller ramp
- Separate strike box for lock bolt
- Standard strikes measure 20mm from the lock centreline to the bend of the lip

### ES Extended Roller Lock Strikes 1126a/b

- Extended 50mm from standard. These strikes can be cut back to suit the door frame. Specify the length required from the lock centreline to the edge of the door frame. The bent lip, 10mm wide, is additional to the width specified

ES Roller Lock Strikes for Rebated Doors  
1128a



1128b

**ES Roller Lock Strikes for Rebated Doors  
1128a/b**

- Ramp for the roller to roll up when the door is closing
- Downward ramp for the roller to extend into, securing the door against its backstop
- Integral strike box behind the roller ramp
- Separate strike box for lock bolt
- Lock packer included with these strikes
- Standard strikes measure 20mm from the lock centreline to the bend of the lip

ES Roller Lock Strikes for Swing-through Doors  
1130 (double-lip style)



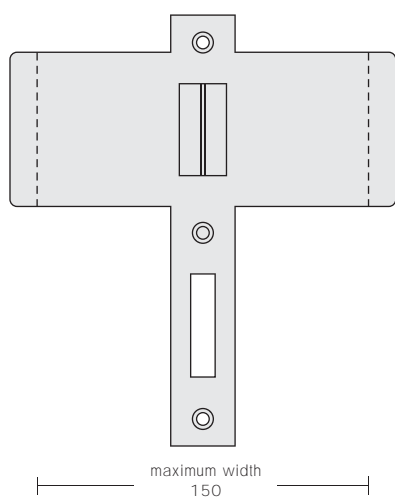
**ES Extended Roller Lock Strikes for Rebated Doors  
1129a/b**

- Extended 50mm from standard. These strikes can be cut back to suit the door thickness. Specify the length required from the lock centreline to the edge of the door. The bent lip, 10mm wide, is additional to the width specified

**ES Roller Lock Strike for Swing-through Doors  
1130**

**(double lip style)**

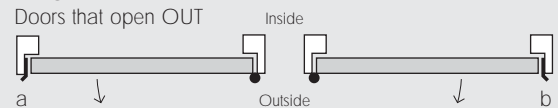
- Ramps for the roller to roll up when the door is closing
- V-recess in the centre to locate the door
- Separate strike box for lock bolt
- Specify jamb width required when ordering, ie. 1130 – 120mm
- 10mm wide lips are additional to the jamb width unless otherwise stated



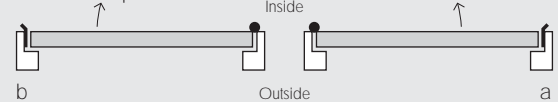
**Handing of Strikes**

**Single Doors**

Doors that open OUT

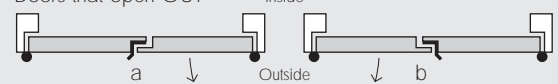


Doors that open IN

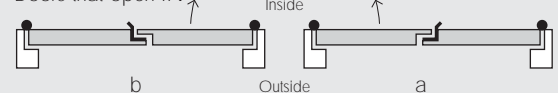


**Double Doors**

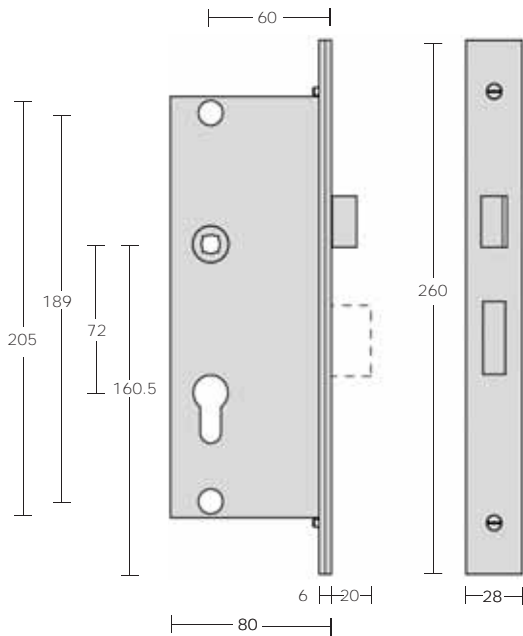
Doors that open OUT



Doors that open IN



## 1131 CFH Mortise Lock



## CFH Mortise Lock

### (Concealed Fixed Handle)

This lock is designed primarily as an entrance lock to provide a unique concealed fixing arrangement for chant™ lever handles on plates.

#### Features

- Concealed fixing of the lever handle plates on both sides of the door
- Single turn, 20mm throw bolt, the same as in our ES Mortise Lock Series
- Removable faceplate hides the lock fixing, cylinder fixing and the attaching screws for the lever handles.
- Soft lever handle return
- Brass body construction
- Faceplate can be finished to match the door handles. Refer to the Finishes Section

The lever handle back plates that can be used with this lock are from the following groups.

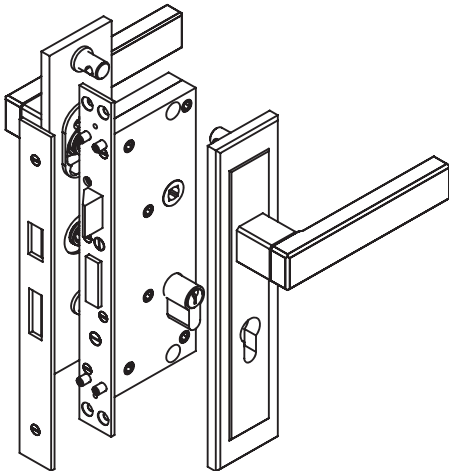
- 32mm wide plates 40 group.
- 38mm wide plates 110 group.
- 44mm wide plates 260 group.
- 50mm wide plates 320 group.

These plates have their fixing centres at 189mm. When ordering door handles or plates to fit these locks, specify "CFH" after the plate combination numbers. example: 41-48 CFH

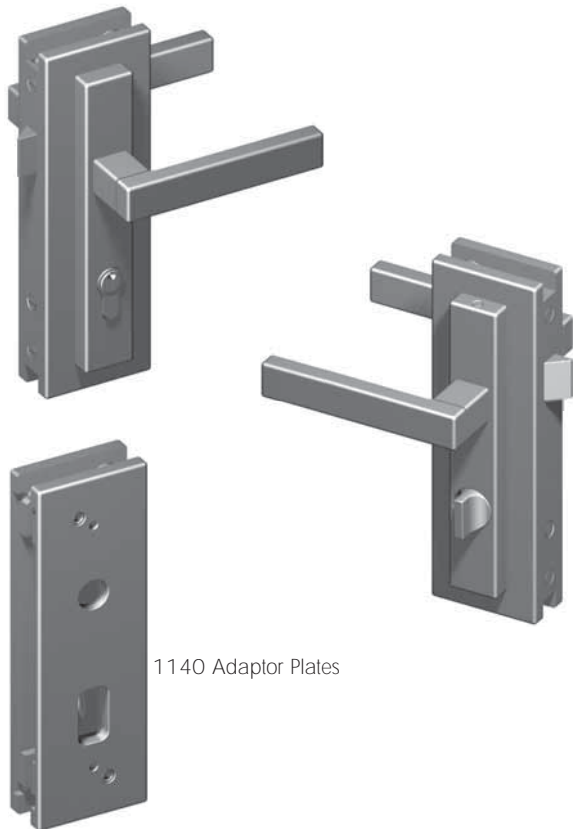
#### Lock Strikes

refer to Mortise Locks page for details of Standard and Extended Lock Strikes to use with this lock, or ES Mortise Locks page if the Extra Security Strikes are required.

Example of CFH Mortise Lock with Regent Lever Handles on plates



Lever Handles, Adaptor Plates and Lock Assembly



1140 Adaptor Plates

## Glass Door Locks

The adaptor plates are designed for Chant™ Mortise Lock 1000, 35mm backset and narrow plate handles on glass doors, or Accurate 8600 Mortise Lock (USA).

This also complements our door furniture when used on other wood or aluminium stile doors on the project. The Chant Lock uses standard Euro Profile Cylinders.

The adaptor plates fasten back to back from each side on a prepared cutout. The lever handles use plates from the 30 group (32mm wide) and 130 group (38mm wide), and fasten back to back with their semi concealed fixing.

Glass thickness 12.5mm (1/2") minimum, needs to be specified when ordering so that the correct thickness adaptor plates can be provided.

### Glass Door Strikes

Designed to marry with the Glass Door Lock Adaptor Plates where the door is latching or locking to an adjacent, fixed glass panel.

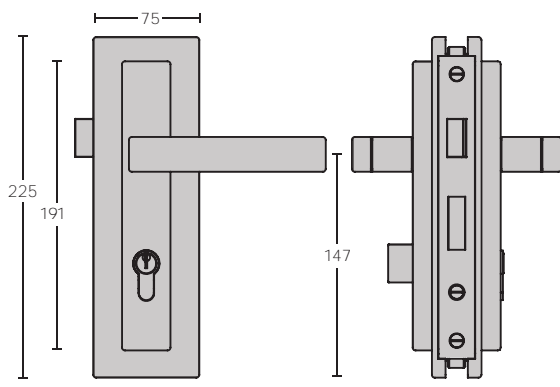
The strike body tie screws back to body internally with the strike plate covering the fixing screws when it is attached.

The strike body is made to suit specific glass thicknesses. Minimum door thickness is 12.7mm (1/2").

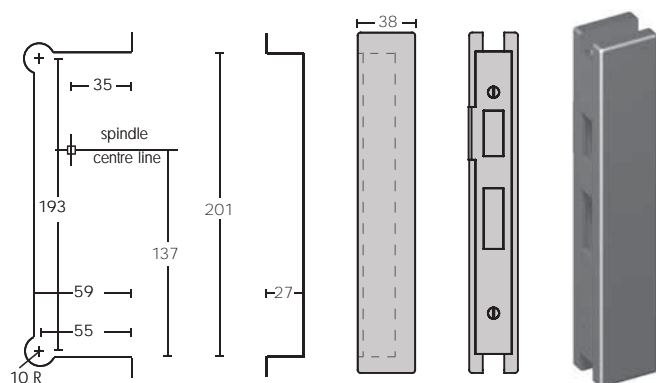
### Handing of Handles

Refer to charts for handing specifications.

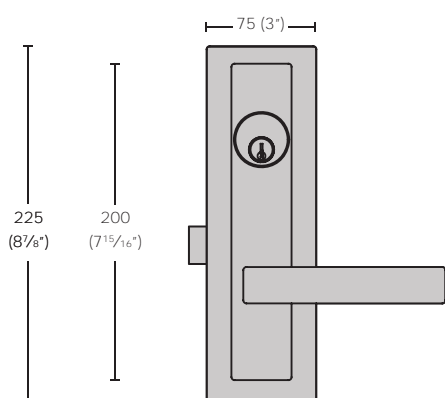
1140 Adaptor Plate, for Chant 1000 Lock and Glass Cutout



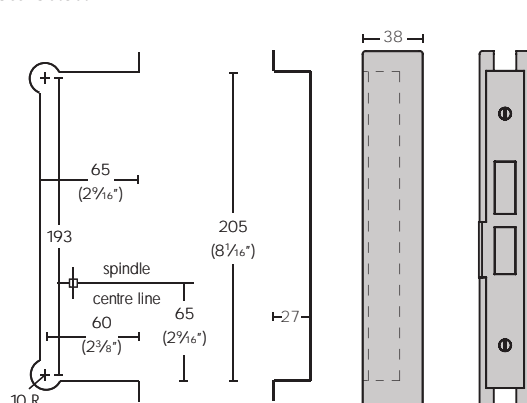
1141 Strike, and Glass Cutout



1146 Adaptor Plate, for Accurate 8600 Series Lock and Glass Cutout



1147 Strike, and Glass Cutout



## Two Point Latches and Bolts

This series of mortise locks and latches are designed primarily for wood, double entrance doors. The doors can then be opened simultaneously to provide a grand entrance, opening the doors 'the way the butler used to'.

The doors can be rebated or square edge and must be custom built to provide a recess to allow for the internal vertical rods to operate the latch or locking bolt. This is an alternative to exposed, surface espagnolette rods.

These mechanisms can be used with the following options of door hardware for the lockable versions:

- Lever handles outside and inside
- Lock cylinder on one, or both door leaves, or neither side of either door
- Cylinder or thumb turn on the inside
- Pull handles on the outside with no access; lever handle surface mounted on the inside, with lock cylinder, or turn, or neither function.

This type of "door set" is custom designed because of the various options with doors and operating door hardware, as they are site specific. Consult chant™ with your requirements.

The mortise locks have a 3mm thick faceplate and a 3mm thick mounting plate to secure the lock in place. When fitted to rebated doors, the mounting plate is against the rebate to minimise the visual offset of the lever handle from the edge of the door, on both sides of the door.

On square edge doors, a brush type weather seal can be used as a draught strip to fill the gap between the doors. This requires dimensional accuracy on the installation of the doors, and allowance for the possible expansion and contraction of the doors due to temperature and humidity changes.

The lever handle back set from the faceplate of the lock is 60mm, and the bolt or rod, 45mm.

### General Installation

1. The mortised lock or latch mechanism is fitted to the door in a standard mortise pocket and faceplate recess.
2. The pull rods for the latches or bolts are cut to length to a calculation of door size and handle height.
3. The pull rods are then secured into the lock bolt or tubular latch with thread locking compound.
4. Anti rattle discs are provided that can be cut down to suit the pull rod trench size, and guide the pull rods into the lock.
5. The assembly is then inserted into the prepared rod hole and screwed into the lock or latch body, until the correct vertical adjustment is achieved.
6. The faceplate of the tubular latch will drop into its prepared recess and is then fastened with two screws, or the guide plate fitted over the locking bolt. The guide plate has a slotted hole to suit the round bolt which has two flat surfaces to prevent the bolt from rotating.

### Lever Handles on Roses and Plates

All chant™ lever handles on the various rose types, and back plates from the following group can be used with the 1150, 1151, 1152 and 1153 Latches/Locks.

- 32mm wide plates 30 and 40 groups.
- 38mm wide plates 110 and 130 groups.
- 44mm wide plates 250 and 260 groups.
- 50mm wide plates 310 and 320 groups.

When the Locks in Options C and D are used, the inside lever handle plate requires the bolt release button to be fitted, specify "R" after the plate code number when ordering the handles.

### Door Construction

When these bolts are fitted to a wood door, it must be custom built, as the stile requires a trench, vertically positioned to allow the bolt to operate. The position of the trench and lock will depend on the construction of the door, particularly in relation to tennon joints in the corners. The lock may need to be off centre in the stile.

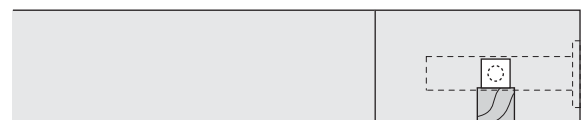
Option A: Split stile, trenched before the two sections are glued together. Alternative join line shown as dotted line.



Option B: Trenched from the edge and back-filled with an insert.



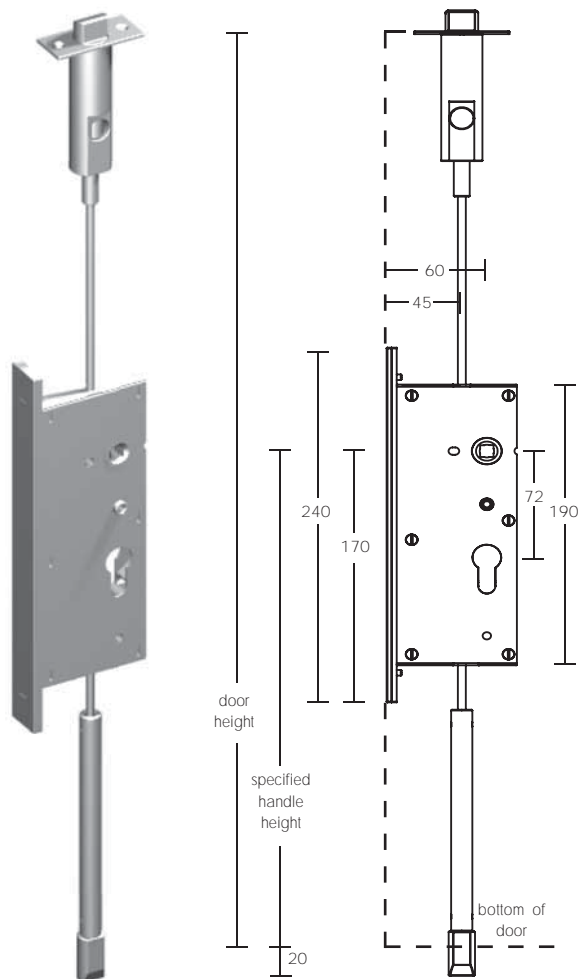
Option C: Trenched from the front or back face and back filled with an insert.



Options:

A. Two Point Latch and Bolt/Lockable 1150

Used when there is no sill at the bottom of the door. The latch secures the door at the top and the bolt fits into an elongated dust socket or strike on the floor. When the lever is fully operated, both latch and bolt withdraw. The bolt 'catches' and stays retracted in the mortise lock, allowing the door to be opened. When the levers are released, the bolt, which is retracted, will not scrape on the floor. When the door is shut and latches at the top, the thumb turn or key can be turned to release the bolt and secure the door. Further turning of the key locks the lever handles. This feature can also be used to fasten the door in the open position with the bolt secured in a second dust socket or strike.



B. Two Point Latch/Lockable 1151

Used when there is a sill at the bottom of the door. The latches secure the door at the top and the bottom. When the lever is operated, both latches withdraw. When the door is shut and the latches secure the door, the thumb turn or key can be turned to lock the lever handle and secure the door.



Dust Sockets

Refer to Dust Sockets in the Accessories Section for full details. These are designed with a round ended, elongated opening so that there is tolerance for installation and any expansion or shrinkage in wood doors.

Latch Strikes

Refer to Mortise Latches in this section for full details of strike options.

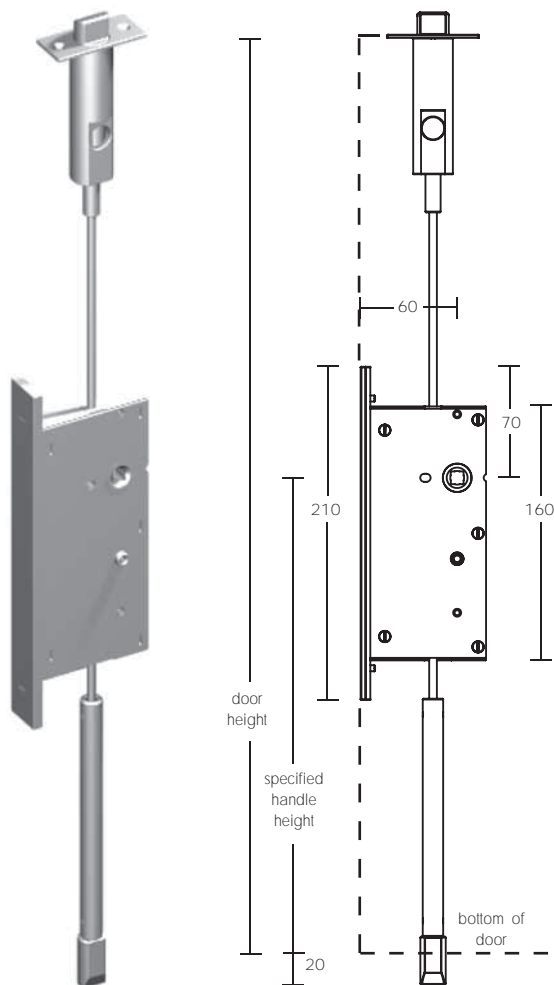
### C. Two Point Latch and Bolt, Non locking 1152

Similar to the 1150 and 1151 lock but without the Euro Profile Cylinder barrel. Used in applications where pull handles are on the outside of the door, with no entry, opening from inside only.

Used when there is no sill at the bottom of the door. The latch secures the door at the top and the bolt fits into an elongated dust socket or strike on the floor. When the lever is fully operated, both latch and bolt withdraw. The bolt 'catches' and stays retracted in the mortise lock, allowing the door to be opened. When the levers are released, the bolt, which is retracted, will not scrape on the floor. When the door is shut and latches at the top, the bolt release button can be pushed to release the bolt and secure the door. This feature can also be used to fasten the door in the open position with the bolt secured in a second dust socket or strike.

The door self latches when closing.

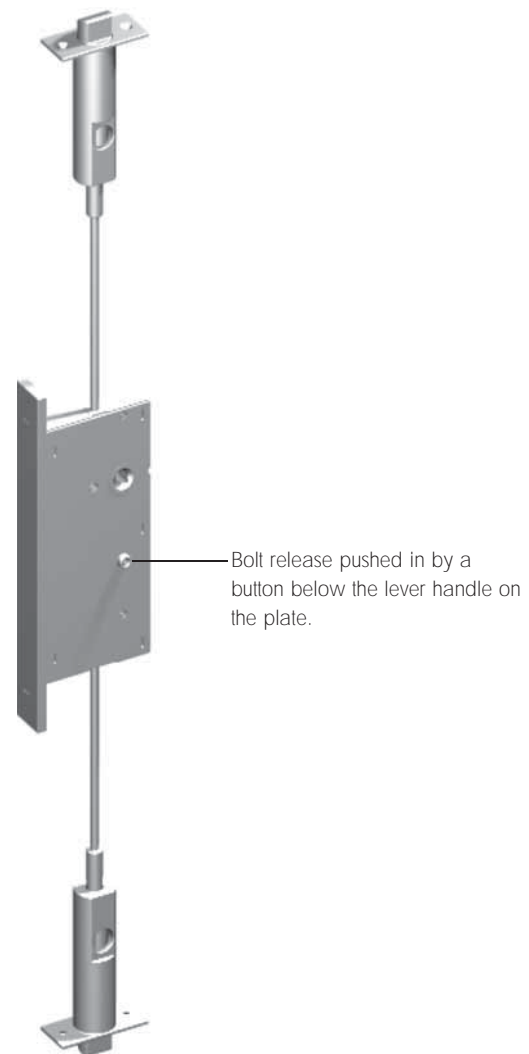
With this two point latch and bolt, the inside lever handle plate requires the bolt release button to be fitted, specify "R" after the plate code number when ordering the handles.



### D. Two Point Latch, Non locking 1153

Used when there is a sill at the bottom of the door. The lever handles when operated, withdraws both latches allowing the door to be opened. The door self latches when closing.

The 1152 and the 1153 locks can be use on the secondary door of a pair of opening doors as they do not generally need a full locking function. Suitable when operated by a lever handle on the inside only.





### E. One Point Latch 1154-1

This unique cylindrical latch mechanism is designed to fit into a specially made door, with a hole down the door for the tubular latch pull rod.

The cylindrical latch mechanism fits into a 44mm ( $1\frac{3}{4}$ " ) diameter circular hole, either partially or fully through the door. It is secured into the recess with 4 socket set screws to key it into the door. The hole must be bored accurately with a good quality hole saw, perpendicular to the surface of the door. Back to back handles are tie screw fixed through the mechanism. When the levers are operated, the latch retracts.

The mechanism is suitable for;

- A single handle on one side, which is surface fixed to the mechanism. In this application the latch mechanism is fitted into a blind hole from the operating side.
- Handles both sides, tie-screwed through the door and mechanism.
- A single latch at the top only or can be turned 90 degrees with the pull rod and tubular latch horizontal.
- Horizontal fixing of the lever handle is at 38mm centres, suitable for any chant lever handles on rose.
- The latch mechanism is machined from solid brass.
- Spindle size 8mm.

The mechanism shown below has a pair of Delta Handles on rose.

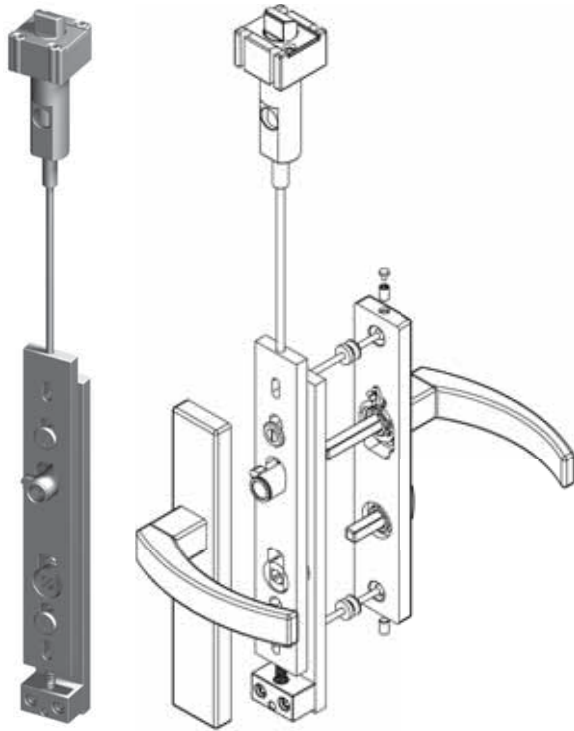


### F. Two Point Latch 1154-2

Two Point Latch shown below. General details as previously.



1160 Instile Privacy Latch



## In Stile, Privacy Latch

This Privacy Latch has been designed to operate using Chant narrow plate door handles on a stand alone, glazed aluminium door or pair of doors, and to complement our door handles throughout a project with other door types.

It is designed to slide into an aluminium door stile and operate a tubular latch at the top of the stile, mounted in a customised mounting block to suit the stile.

It is not intended for full security as the door panel could be forced at the bottom and therefore, twisting the door.

The lock mechanism is fastened into the stile, with screws underneath the door handle plates, which tie screw through the mechanism.

- The lever operates a hub which pulls the central slide bar down
- A threaded rod is connected to the slide bar and the end of the tubular latch which is mounted into the top of the stile.
- Spindle size 8mm

### 1160 In Stile Privacy Latch

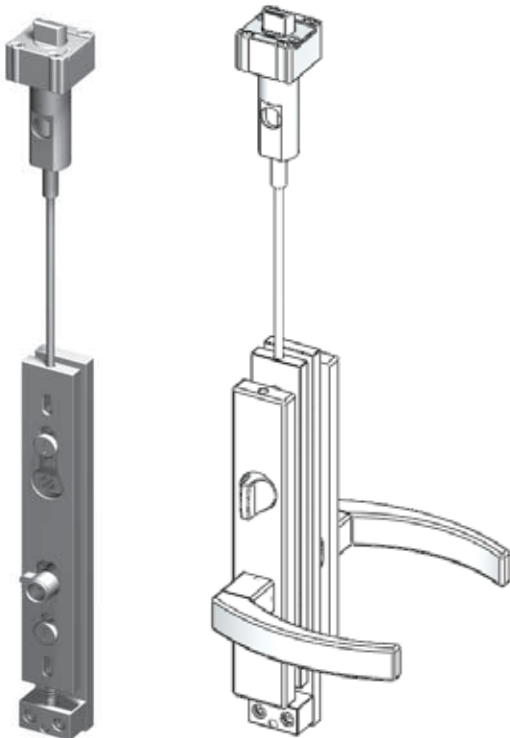
The privacy function can be positioned below the lever spindle, typically with 32 mm wide plates from Groups 30 and 40, and 38mm wide plates from Groups 110 and 130. This has the thumb turn at 72mm centres below the lever handle.

### 1161 In Stile Privacy Latch

Alternatively, the privacy function can be positioned above the lever handle with 38mm wide plates from Group 190 to suit Accurate Mortise Locks (USA), used elsewhere on the project. The thumb turn is positioned at the same turn centre. Refer to Technical Section for plate details.

The pull latch mechanism is 38mm wide x 34mm in the front to rear direction. Full details of the door and stile must be provided to customise this product.

1161 Instile Privacy Latch



Example of Chant 1005a FS Strike



## Flush Strikes

To provide that "final finish" to a door set of hardware.

For mortise latches and locks, the strikes are designed to be flush with the outside face of the door jamb to provide a clean visual appearance, without the standard bent lip protruding beyond the jamb.

This requires "architraves" or "casings" to be placed away from the door opening, clear of the latch bolt. This is an important detail in the initial design concept of the project in relation to the construction of the wall and door frame.

In all cases, these strikes must be carefully site measured to be flush with the edge of the jamb or door frame. They require the lock or latch to be positioned accurately in the centre of the door for correct latching, or if offcentre, carefully measured and specified.

### Mortise Lock and Latch Strikes

Made from 2mm, 316 Stainless Steel. The leading edge has a 1.5mm radius for the latch bolt to slide across.

For Chant Mortise Locks 1000 to 1005. Specify 1005a or b/FS, offset dimension and finish.

For Chant Mortise Latches 1011 to 1013. Specify 1015 FS, offset dimension and finish.

### Adjustable Flush Strikes

These can be designed to suit custom applications. They generally require door jambs thicker than normal to accommodate the adjustable stop bar behind the strike face.

Example of Chant 1015a FS Strike





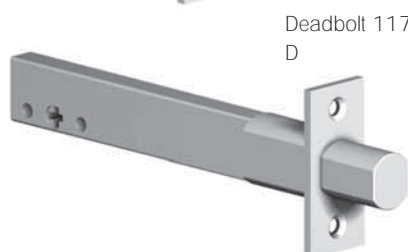
Cylinder Escutcheon  
A



Turn Assembly  
B



Deadbolt 1176 60 – 70mm  
C



Deadbolt 1177 127mm  
D



Rebate Packer  
E



Rebate Deadbolt Strike  
F



Rebate Latch Strike  
G

## Tubular Deadbolts

**Note:** Deadbolt Cylinders are 6-pin, C4 profile.

### Deadbolt Cylinder and Turn 60 – 70mm, 1170

Includes:

- Cylinder Escutcheon A
- Turn Assembly B
- 60–70mm Backset Deadbolt C

### Deadbolt Cylinder and Turn – 127mm, 1171

Includes:

- Cylinder Escutcheon A
- Turn Assembly B
- 127mm Backset Deadbolt D

### Deadbolt Double Cylinder 60 – 70mm, 1172

Includes:

- 2 x Cylinder Escutcheons A
- 60 – 70mm Backset Deadbolt C

### Deadbolt Double Cylinder – 127mm, 1173

Includes:

- 2 x Cylinder Escutcheons A
- 127mm Backset Deadbolt D

### Deadbolt Rebate Kit, 1174

Includes:

- Rebate Packer E
- Rebate Deadbolt Strike F

### Tubular Latch Rebate Kit, 1175

Suitable for Balan Tubular Latches

includes:

- Rebate Packer E
- Rebate Latch Strike G

### Deadbolt, 1176

Adjustable 60 – 70mm backset

### Deadbolt, 1177

127mm backset

## Finishes available for locks, latches and strikes

Stainless Steel Brushed	SSB
Stainless Steel Polished	SSP
Stainless Steel Satin	SSS

(Bead blasted surface similar to Satin Nickel)

Copper Plate	COP
Bronze Plate	BP

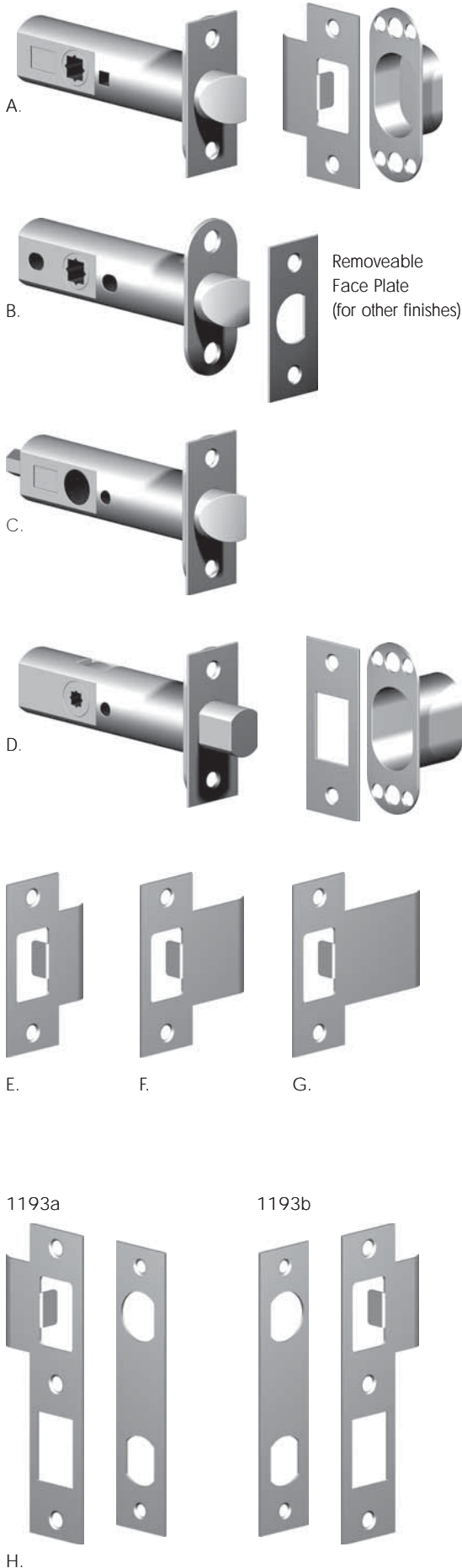
(This is a brass/bronze plated finish on stainless steel as an approximate match for Weathered Brass and Bronze "Living" Finishes.

Finishes available for Door Knobs, Cylinder Escutcheon, Turn Assembly and Rebate Packer – See Finishes Section

## Tubular Latches and Privacy Bolts

This range of tubular latches and privacy bolts are of robust construction and have separate stainless steel or brass faceplates. The brass faceplates and strikes can be finished in our range of electroplated and aged brass finishes. Lever handle rotation is 30 degrees with a multiplier mechanism to withdraw the latch bolt. Supplied complete with strike boxes.

Spindle size is 8mm.



A. Tubular Latch – Standard

1181 60mm backset  
1182 70mm backset

B. Tubular Latch – Horizontal Fixing. For use with lever handles with horizontal fixing only, ie Chant Line 5012 and Curve 5032 handles etc., 38mm centres.

1183 60mm backset  
1184 70mm backset

C. Tubular Latch – Pull 1185. For use with Chant 1150 etc mortise locks that operate pull rods that are fitted inside custom made doors and connect to these latches, in the top and bottom edge of the door. Threaded for M5 rod, pull boss movement is 6mm and with the multiplier mechanism withdraws the latch bolt 12mm.

D. Privacy Bolt. Hub size is 5mm ( $\frac{3}{16}$ " square)  
1187 60mm Backset  
1188 70mm Backset

E. Standard strike 1190. 70mm x 28mm  
Centreline to lip bend is 24mm  
(Supplied with all Tubular Latches)

F. Extended Strike 1191. 70mm x 28mm  
Centreline to lip bend is 33mm

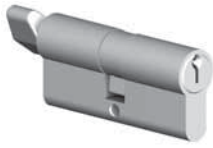
G. Extended Strike 1192. 70mm x 28mm  
Centreline to lip bend is 45mm

H. Combination Faceplate and Strike. 1193a/b  
– Strike size 28mm x 124mm  
– Face Plate size 25mm x 114mm  
The spacing of the Tubular Latch and Privacy Bolt is 57mm ( $2\frac{1}{4}$ ".  
For details on handing, refer to previous pages.

### Product Finishes

Stainless Steel Brushed	SSB
Stainless Steel Polished	SSP
Stainless Steel Satin	SSS
(Bead Blasted Surface Similar to Satin Nickel)	
All Electroplated Finishes and Brass "Living" Finishes	
– See Finishes Section	

Profile Cylinder and Turn



Profile Double Cylinder



Profile Single Cylinder

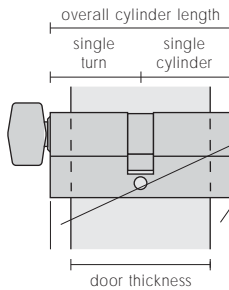


Profile Single Turn



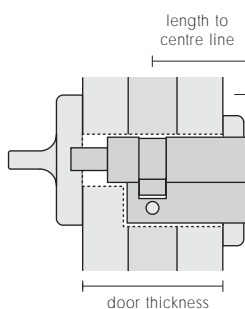
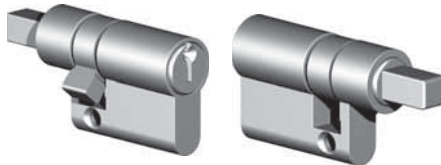
**Cylinder and Turn Options:**

Refer to following diagram to calculate overall length required, based on thickness of door added to thickness of back plate(s) and/or escutcheon(s).



Remember to allow for the protrusion of the cylinder or turn for the lever handle back plate, 12.5mm, or escutcheons – 7mm or 9mm. Refer chant™ Escutcheons in Accessories Section for thicknesses.

Profile Cylinder Turn Adaptors



Remember to allow for the protrusion of the cylinder for the lever handle back plate – 12.5mm, or escutcheons – 7mm or 9mm. Specify door thickness when ordering this product. Refer chant™ Escutcheons in Accessories Section for thickness.

Note: The Cylinder Escutcheon on this side is concentric with the cylinder body. The Turn Escutcheon on the opposite side is above the Cylinder Escutcheon and is concentric with the cylinder barrel. Hole preparation for the cylinder through the door must be made accordingly.

Cam Adaptors



## Cylinders and Turns

All key cylinders have a C4 profile.

Model	Length
<b>Profile Cylinders and Turns</b>	
1200 - 3 pin	42mm
1201 - 5 pin	62mm
1202 - 6 pin	70mm
1203 - 6 pin	82mm
1204 - 5 pin	90mm

<b>Profile Double Cylinders</b>	
1210 - 3 pin	42mm
1211 - 5 pin	62mm
1212 - 6 pin	70mm
1213 - 6 pin	82mm
1214 - 5 pin	90mm

<b>Profile Single Cylinders</b>	
1220 - 3 pin	21mm to door centreline
1221 - 5 pin	31mm to door centreline
1222 - 5 pin	35mm to door centreline

<b>Profile Single Turns</b>	
1230	21mm to door centreline
1231	31mm to door centreline
1232	35mm to door centreline

### Profile Cylinder Turn Adaptors

All profile cylinder locks can use a chant™ Profile Cylinder Turn Adaptor with chant™ Profile Cylinder Turn Adaptor with chant™ door handles and escutcheons. Cylinder plates can be used on the outside of the door with the adaptor bar connecting to the slot in the back of the thumb turn on the inside plate, or standard turn escutcheon (3401 etc.).

Specify door thickness when ordering this product. Refer to Technical Section, and chant™ Escutcheons in Accessories Section for further details.

1241	31mm to door centreline
1242	35mm to door centreline
1243	41mm to door centreline
1244	45mm to door centreline
1245	50mm to door centreline
1248	38mm to door centreline

### Cam Adaptors

Designed to fit into Chant and other Profile Cylinder Locks, to suit various thumb turn spindle bars rotating 360°.

Code No.	Spindle Size
1250	6mm x 2mm
1251	5mm square
1252	6mm square
1253	8mm square

### Product Finishes

All electroplated finishes and Weathered Brass. Refer to Finishes Section.